

MSensor G3 PIR 10DPI WH

DALI-2 multi-sensor



Product description

- _ Sensor developed to work with the latest DALI specification
- _ Monitoring of ambient light and motion detection
- _ Remote control interface allowing infrared remote control interaction
- _ Individual adjustment of the parameters with configuration software
- _ Power supply via DALI line
- _ Shutter for preventing movement detection in one direction included
- _ Small dimensions allowing easy and inconspicuous integration in luminaries
- _ Wide range of accessories allowing extended application range
- _ 5 years guarantee

Housing properties

- _ Casing: polycarbonate, white
- _ Type of protection up to IP66

Note

- _ Tridonic MSensor G3 family sensors are developed according to DALI Standard EN 62386-101 Ed.2, also known as DALI-2. To be able to use the sensor in such installation, an application controller is necessary.
- _ List of approved application controller can be found on our WEB page in "Downloads" in document "Application_controllers_MSensor_G3.pdf".

Website

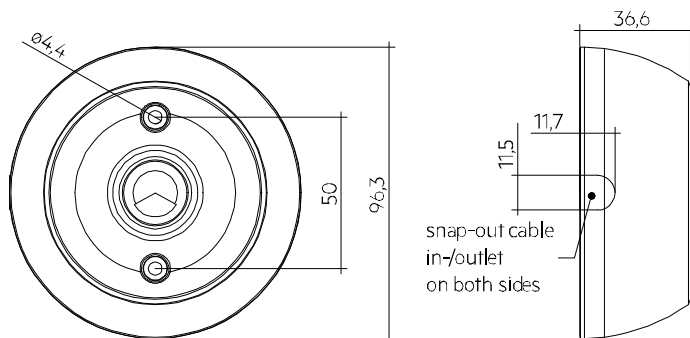
<http://www.tridonic.com/28002879>



MSensor G3 PIR 10DPI WH

DALI-2 multi-sensor

The complete data sheet for this product is available in the Downloads section.

**Ordering data**

Type ^①	Article number	Suitable for	Figure	Dimensions L x W x H	Packaging, carton	Weight per pc.
MSensor G3 SSM 30 10DPI WH	28002879	Remote installation	2	96.3 x 96.3 x 36.6 mm	20 pc(s).	0.077 kg

Technical data

Supply via	DALI cable
Supply voltage ^②	11.5 – 20.5 V
Current consumption (no LED)	≤ 8 mA
Current consumption (with LED)	≤ 9 mA
Mounting height	5 – 10 m
Mounting hole diameter	23 mm
Cover size of luminaire	0.75 – 4 mm
Detection angle for PIR detection (tagential / radial)	72° / 44°
Detection angle for light measurement	30° – 40°
Detection range for light measurement ^②	0.5 – 2,000 lx
Min. temperature difference between ambient temperature and detected object	± 4 °C
Ambient temperature ta	-20 ... +50 °C
tc	60 °C
Storage temperature ts	-25 ... +60 °C
Housing material body	PC polycarbonate
Housing material lens	PE polyethylene
Housing colour body	White (similar to RAL 9010)
Housing colour lens	White
Type of installation	Luminaire installation
Type of protection ^③	Up to IP66

Approval marks**Standards**

EN 61347-2-11, EN 55015, EN 61000-3-2, EN 61000-3-3, EN 61547, EN 62386-101 (DALI-2), EN 62386-103, EN 62386-301, EN 62386-303, EN 62386-304, EN 62386-332

^① Uin acc. IEC 62386-101.

^② The measured value at the sensor head corresponds to approx. 3 to 6,300 lux on the surface measured.

^③ Depending on the installation type up to IP66 for more details see data sheet chapter 3.7.

^④ 28002879: bundle incl. 28002119 and 28001874.